

TOOL GRINDERS

BEAR - BEAR 1 & BEAR 2 Series

The **RJH Morrisflex BEAR Toolgrinder** is a unique machine designed specifically to assist the Technician servicing the school or college workshop. The BEAR will sharpen chisels, gouges and plane blades, producing an accurate angle on the tool, which can be pre-set, and which can then be repeated for a full batch of tools. The BEAR saves time for the Technician, and eliminates the variability of the manual process which it replaces. No particular skill is needed to use the machine. The BEAR complies fully with the European Machinery Directive and also with the BS4163 "Health & Safety in Workshops of Schools and Similar Establishments" regulations. All RJH Morrisflex machines carry a 2 year warranty and are supplied with a comprehensive operating manual.

KEY FEATURES - BEAR 2

- Controlled 140rpm wheel speed
- Force-fed recirculatory coolant system with anti-spill tray
- Integral oil reservoir with filter
- Tool holder for blades up to 60mm wide
- Centre swivel arm with vernier adjustment to ensure square and even contact between the tool and the grinding wheel.
- Radius gouge attachment
- 1500rpm cone wheel with work rest and splash guard
- Base cabinet with lockable access door

KEY FEATURES - BEAR 1

- As for BEAR 2, but without cone wheel or radius attachment

SAFETY FEATURES - BEAR 1 & 2

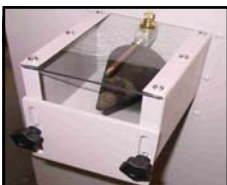
- No-volt overload push-button starter
- Automatic safety cut-out when front door is opened

OPTIONAL REFINEMENTS - BEAR 1 & 2

- Flexible halogen floodlight with transformer
- Lockable triple pole isolator
- Single phase motor
- Grinding wheel dressing attachment



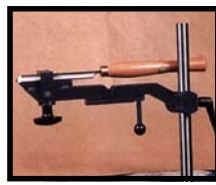
Bear, BEAR 1



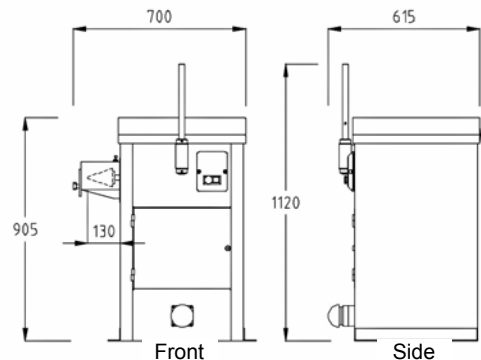
Cone Wheel



Tool holder in grinding position



Tool holder presenting finished blade for inspection



MODEL	BEAR 1 & 2	BEAR 1S & 2S	MODEL	BEAR 1 & 2	BEAR 1S & 2S
Electrical Supply	400/3/50	230/1/50	Wheel Type	Aluminium Oxide A80	
Motor	0.18 Kw	0.25 Kw	Weight	Bear 1 =105 kg, Bear 2 =115 kg	
Wheel Size	406 x 32 mm		Blade Holder Capacity	Up to 60 mm wide	
Cone Wheel Size (Bear 2)	100 mm long x 75 mm dia.				

Further information and full specifications from:

RJH MORRISFLEX LTD, Artillery Street, Heckmondwike, West Yorkshire, WF16 0NR, United Kingdom
 Tel: 01924 402490 International: (0044) 1924 402490 Fax: 01924 404647 International: (0044) 1924 404647
 Email us on sales@rjheng.co.uk, or visit us @ www.rjheng.co.uk