

DOUBLE - ENDED POLISHERS

CHAMOIS - PL Series, Dust Extraction Mounted

The RJH Morrisflex CHAMOIS Double-Ended Polisher has a long pedigree, and is favoured for training purposes in most educational establishments. It is also ideal for use in industrial workshops. The CHAMOIS dust extraction model fully complies with UK COSHH regulations, the European Machinery Directive and also with the BS4163 "Health & Safety in Workshops of Schools and Similar Establishments" regulations. All RJH Morrisflex machines carry a 2 year warranty and are supplied with a comprehensive operating manual.

KEY FEATURES

- Integral dust extractor with a tray collector for easier and cleaner waste handling
- Taper adaptors suitable for use with polishing mops, finishing wheels or wire brushes up to 200 x 25mm

SAFETY FEATURES

- No-volt overload push-button starter
- 110 volt control circuit
- Motor thermal overload protection
- Knee stop bar
- Fire retardant terylene needlefelt dustbag
- Heavy duty adjustable polycarbonate eye shields
- Large adjustable mop guards with safe edging and 3" (approx. 76mm) extraction spigots
- Excellent workpiece access.
- Protective sleeves on taper nose on both sides of the polishing mop

OPTIONAL REFINEMENTS

- Flexible halogen floodlight with transformer
- Lockable triple pole isolator
- Single phase unit (3000rpm machines only)
- Parallel adaptors
- Lockable "E" stop



Chamois, PL200**E
Model shown is fitted with 200 x 25 mm mops
(not supplied)



Guards



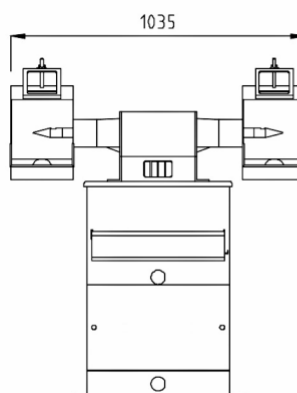
Protection Sleeves



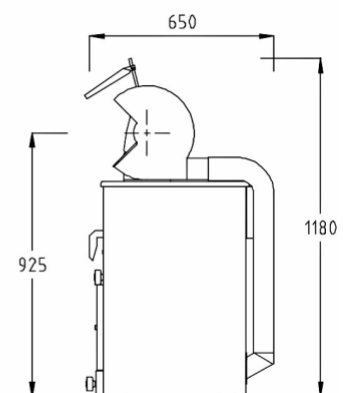
Electric Controls



Knee Stop Bar



Front



Side

Further information and full specifications from:

RJH MORRISFLEX LTD, Artillery Street, Heckmondwike, West Yorkshire, WF16 0NR, United Kingdom
Tel: 01924 402490 International: (0044) 1924 402490 Fax: 01924 404647 International: (0044) 1924 404647
Email us on sales@rjheng.co.uk, or visit us @ www.rjheng.co.uk

DOUBLE ENDED POLISHERS

CHAMOIS - PL Series, Bench and Pedestal Mounted

The **RJH Morrisflex CHAMOIS** is also available as a bench or pedestal model, designed for use with centralised dust extraction systems. The pedestal and bench models incorporate the same safety features as the dust extractor model, and are available with the same optional refinements. The differences to the dust extraction mounted version are detailed in the table below:

KEY: ● =included, ✕ =not available	DUST EXTRACTION	PEDESTAL	BENCH
Dust Extractor	●	✕	✕
Push-button Stop 	●	●	●
Stop Bar 	●	✕	✕
Foot Stop 	✕	●	✕
110V control system 	●	✕	✕



Chamois, PL200**P



Chamois, PL200**

SPECIFICATION - CHAMOIS Double-Ended Polishers

MODEL	DUST EXTRACTION		PEDESTAL		BENCH	
3 phase	PL2001TE	PL2003TE	PL2001TP	PL2003TP	PL2001T	PL2003T
1 phase	-	PL2003SE	-	PL2003SP	-	PL2003S
Weight	93 Kg	87 Kg	64 Kg	59 Kg	40 Kg	35 Kg
Mop Drive Motor	1.25 Kw	3 ph. = 0.85 Kw 1 ph. = 0.70 Kw	1.25 Kw	3 ph. = 0.85 Kw 1 ph. = 0.70 Kw	1.25 Kw	3 ph. = 0.85 Kw 1 ph. = 0.70 Kw
Spindle Speed	1500 rpm	3000 rpm	1500 rpm	3000 rpm	1500 rpm	3000 rpm
Electrical Supply	3 phase = 400/3/50, 1 phase = 230/1/50					
Maximum Mop Size	200 mm x 25 mm					
Dust Extractor Motor	0.55 Kw			N/A		

Further information and full specifications from:

RJH MORRISFLEX LTD, Artillery Street, Heckmondwike, West Yorkshire, WF16 0NR, United Kingdom
 Tel: 01924 402490 International: (0044) 1924 402490 Fax: 01924 404647 International: (0044) 1924 404647
 Email us on sales@rjheng.co.uk, or visit us @ www.rjheng.co.uk